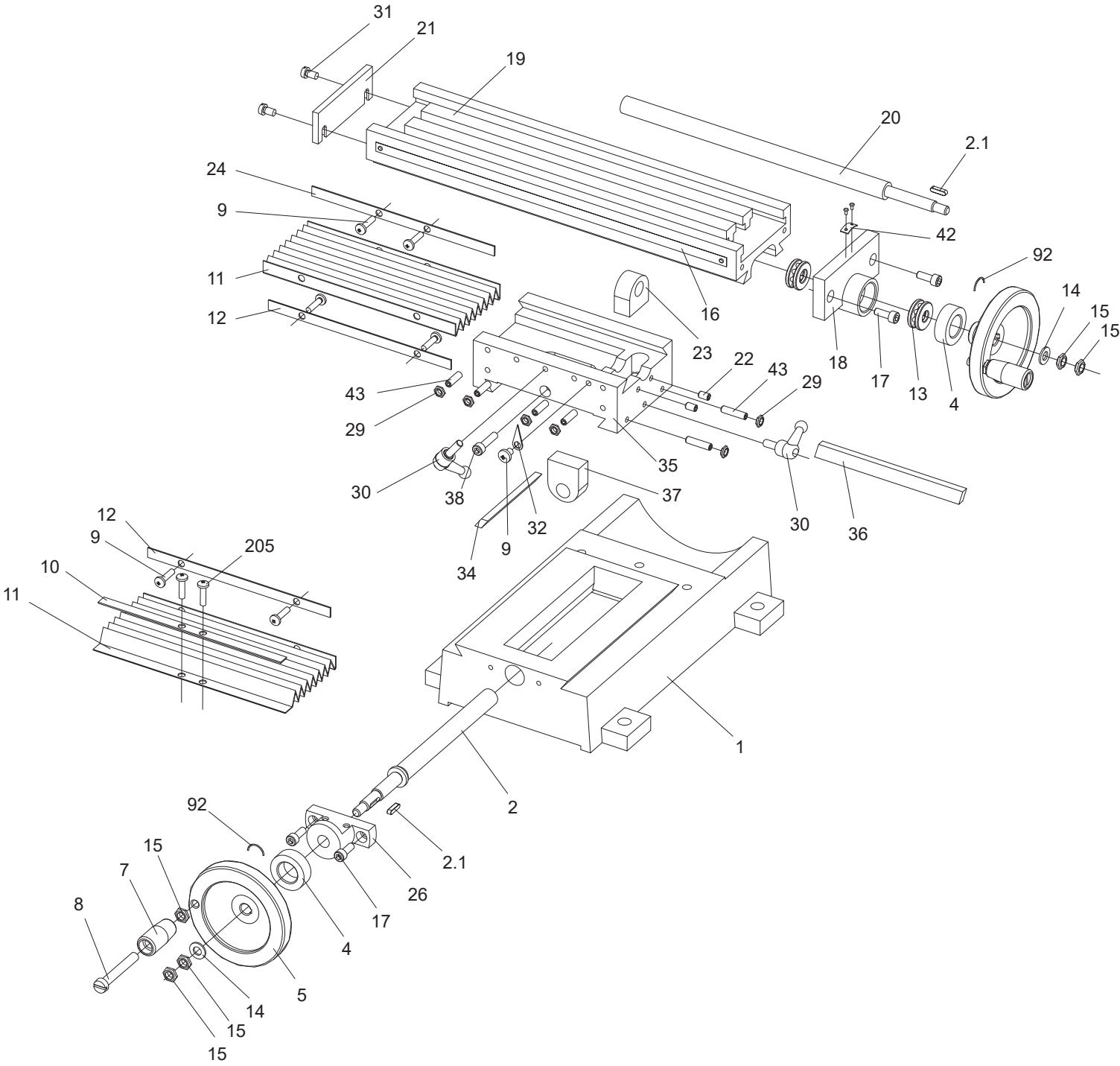


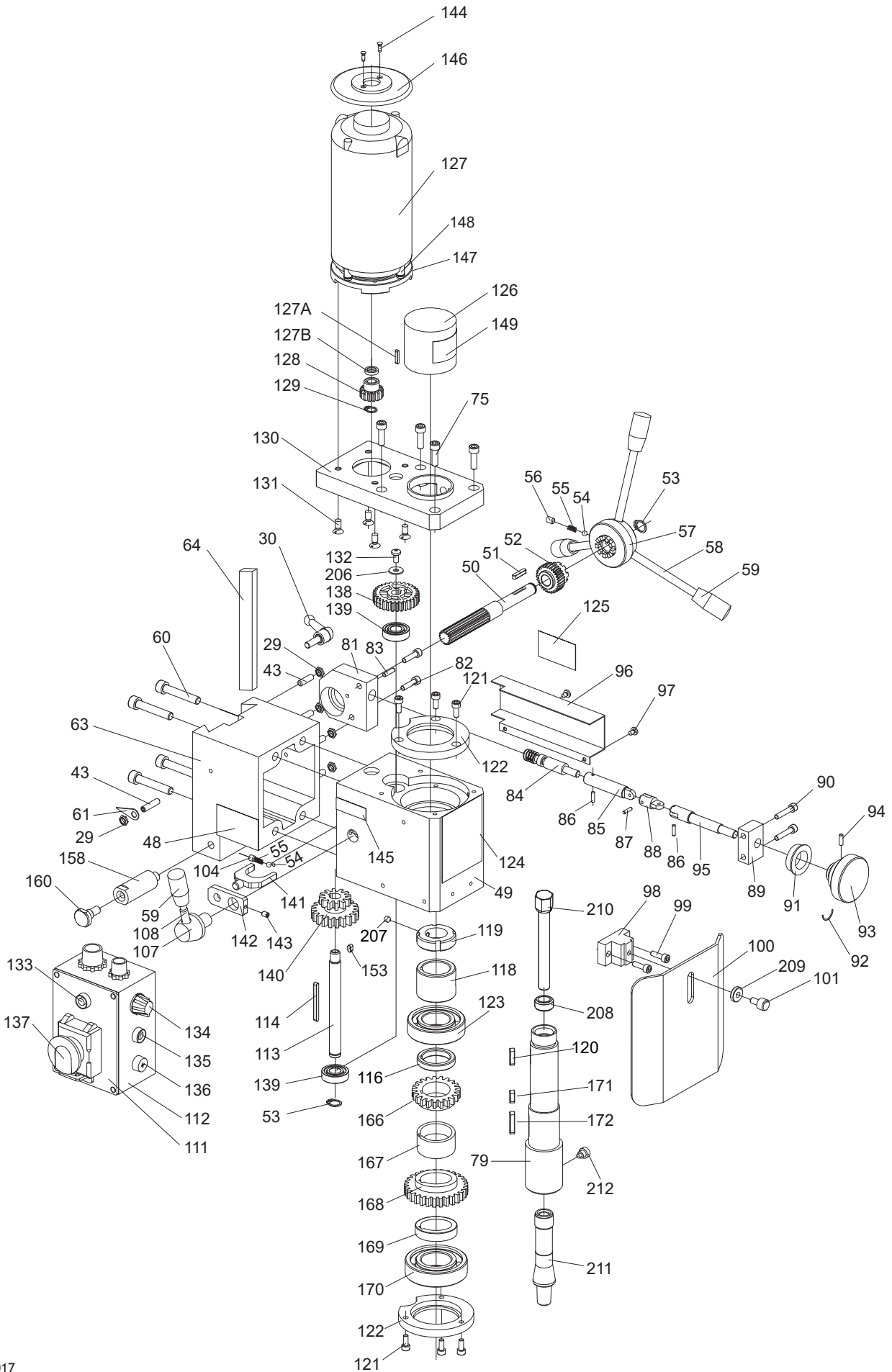
# CRAFTEX Mini Mill Model CX605 (X2) - R8 Spindle

Drawing 1 of 3



# CRAFTEX Mini Mill Model CX605 (X2) - R8 Spindle

Drawing 2 of 3



# CRAFTEX Mini Mill Model CX605 (X2) - R8 Spindle

Drawing 3 of 3

