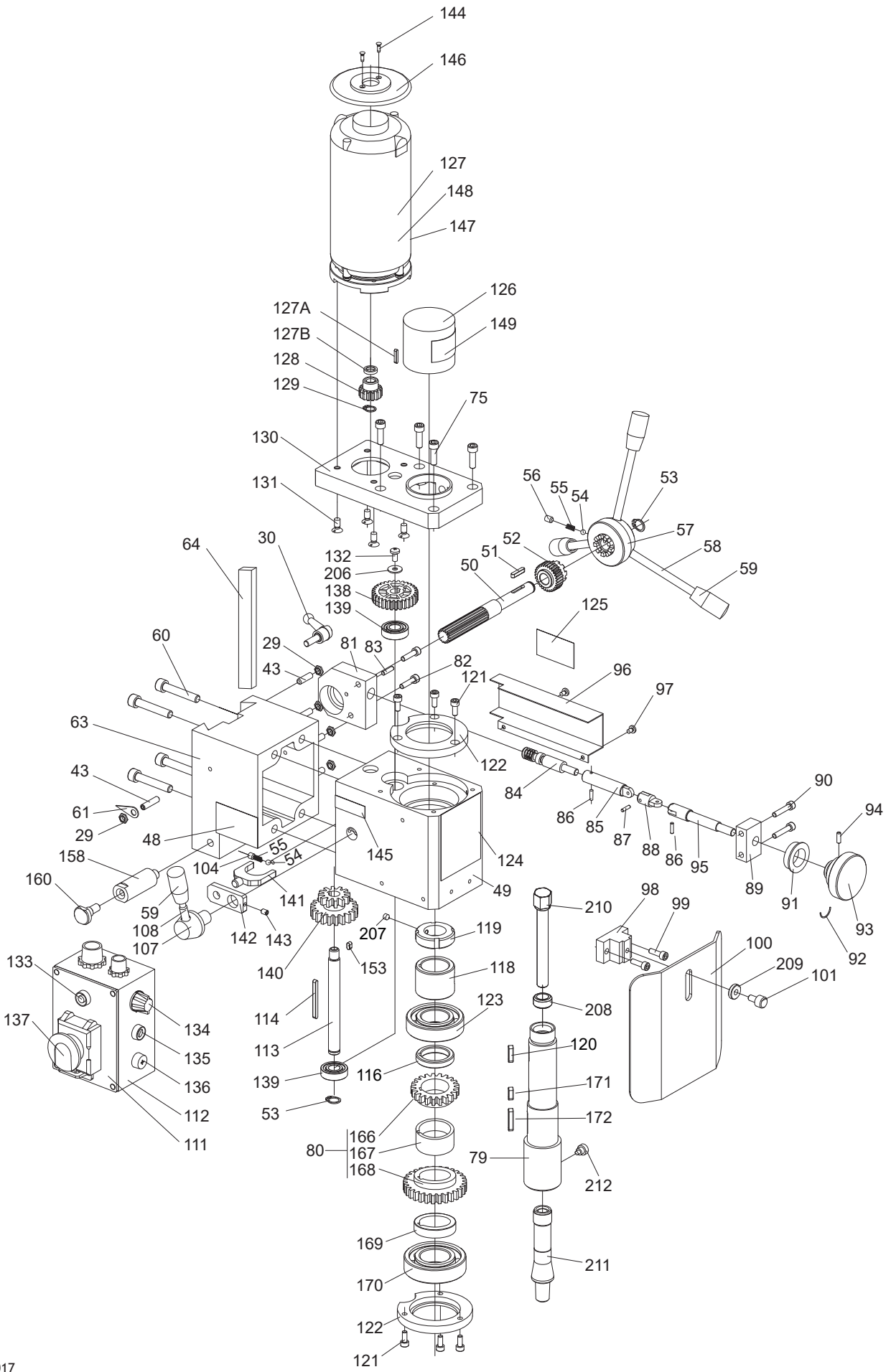




# Northern Tool KLUTCH Mini Mill - Model 49657 (X2) - R8 Spindle

Drawing 2 of 3



# Northern Tool KLUTCH Mini Mill - Model 49657 (X2) - R8 Spindle

Drawing 3 of 3

