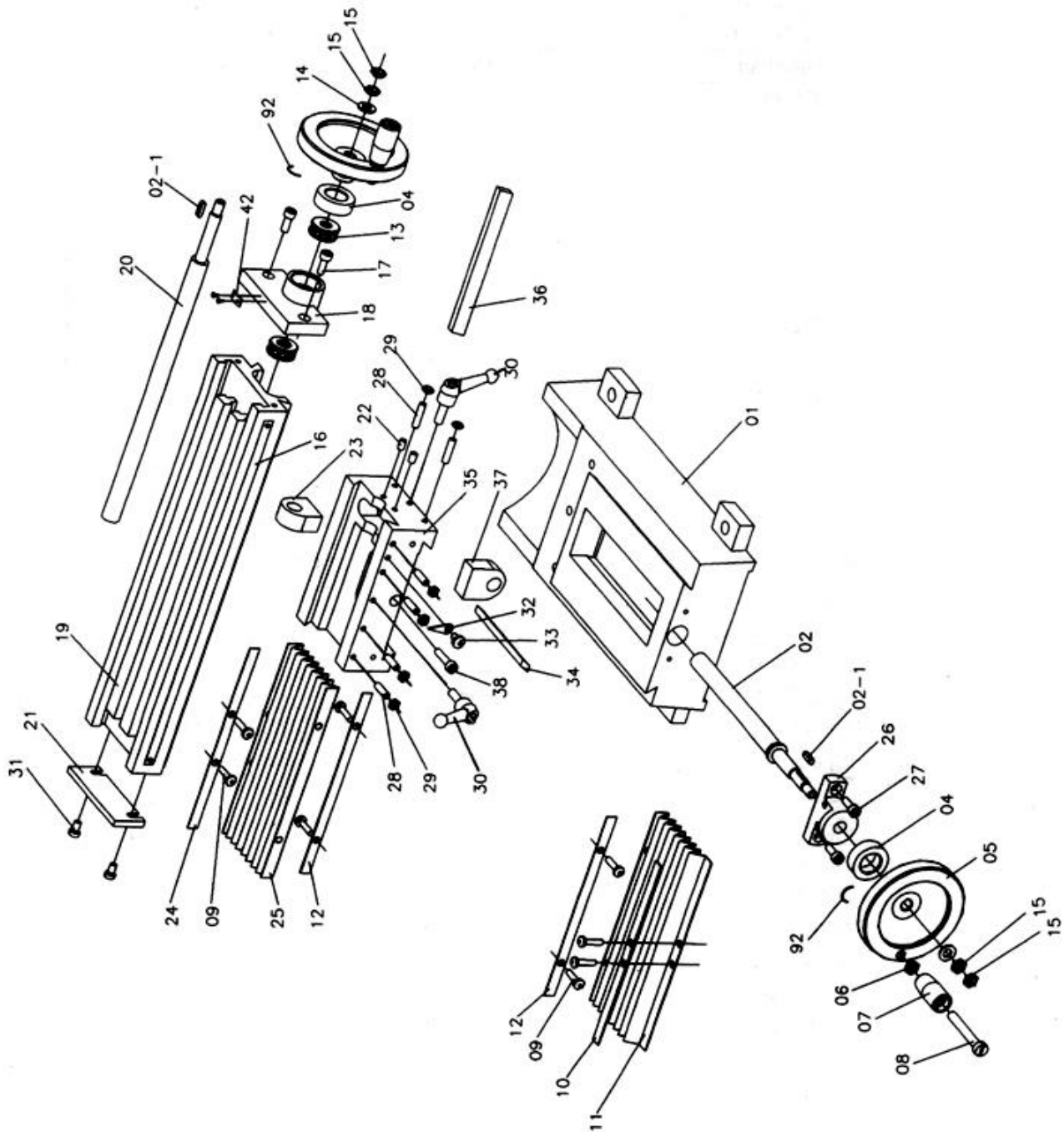
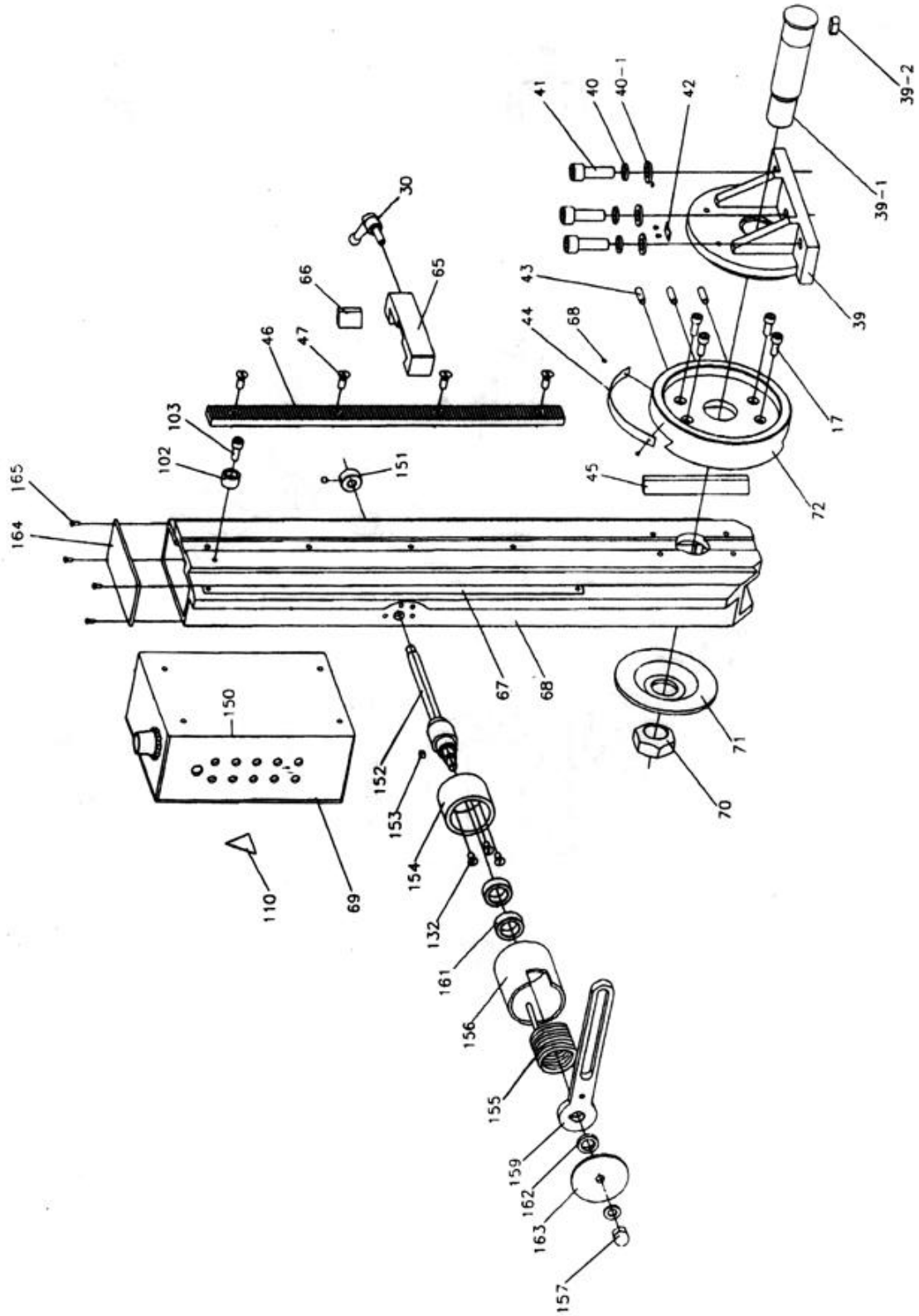


Longitudinal (Y) Axis and Cross (X) Axis Assembly Drawing



Vertical (Z) Axis Assembly Drawing



Spindle and Gear Box Assembly Drawing

