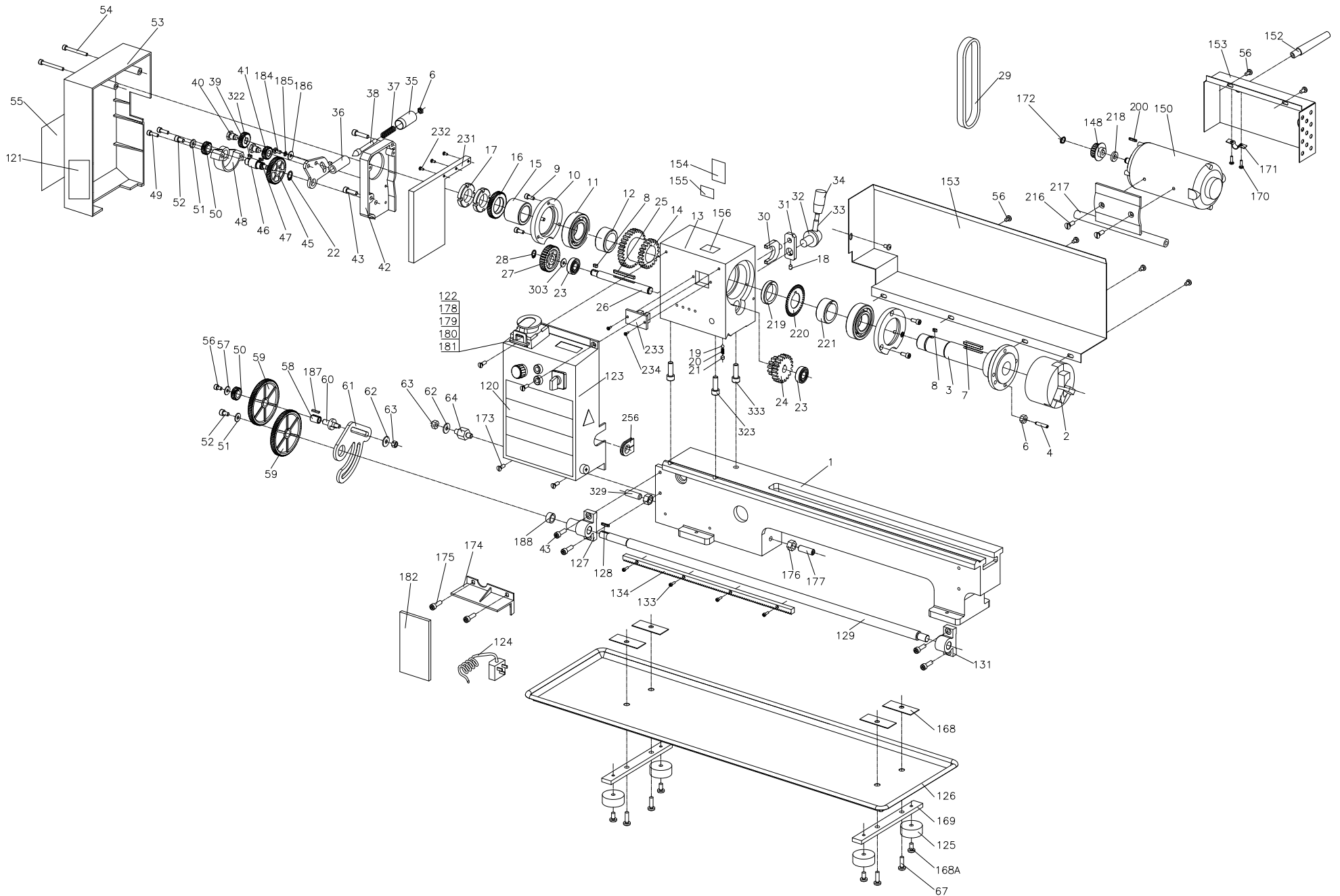


Micro-Mark MicroLux™ 7x14 Mini Lathe Model 82710 (C3)
Drawing 1 of 2



Micro-Mark MicroLux™ 7x14 Mini Lathe Model 82710

Drawing 2 of 2

