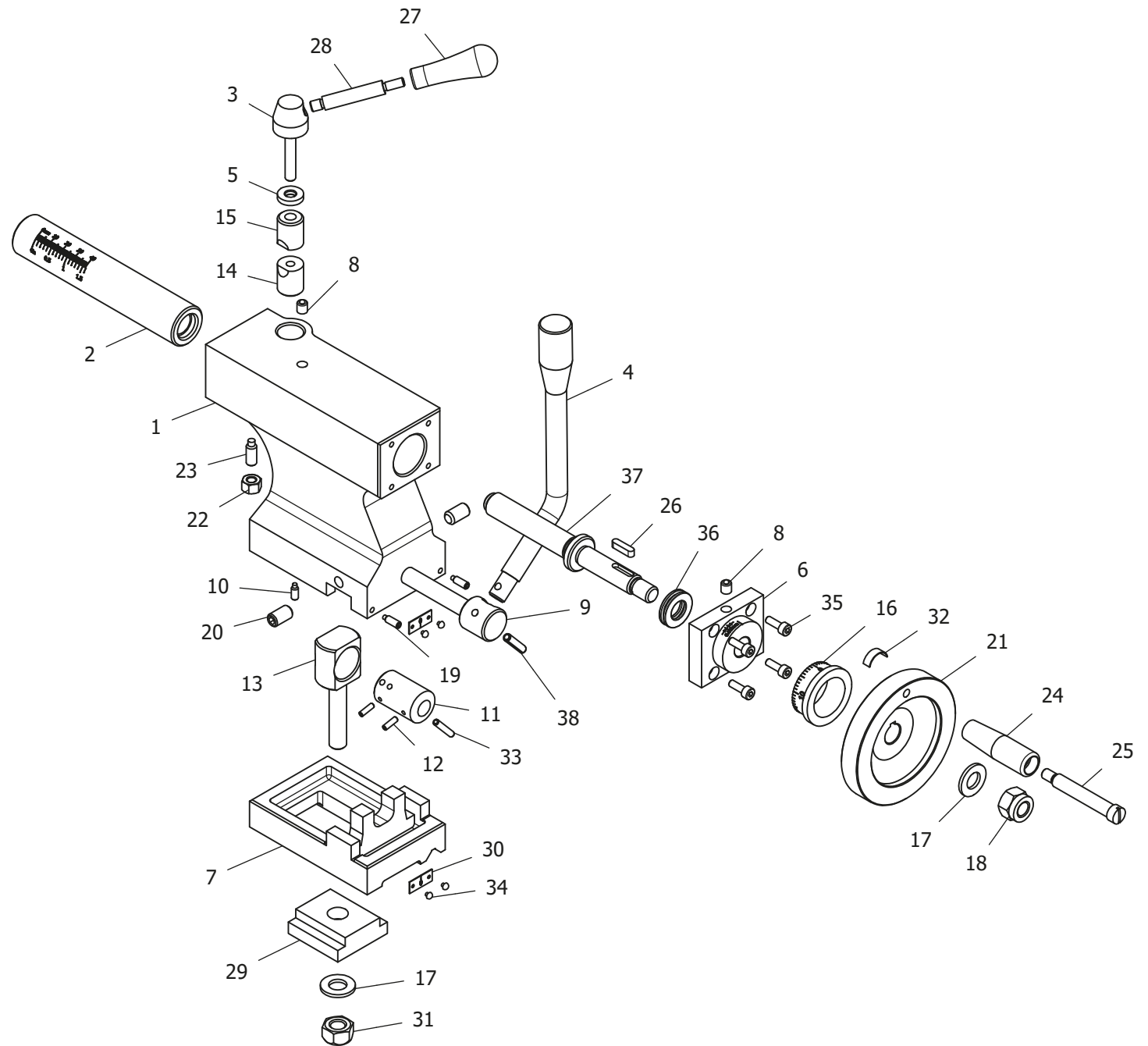


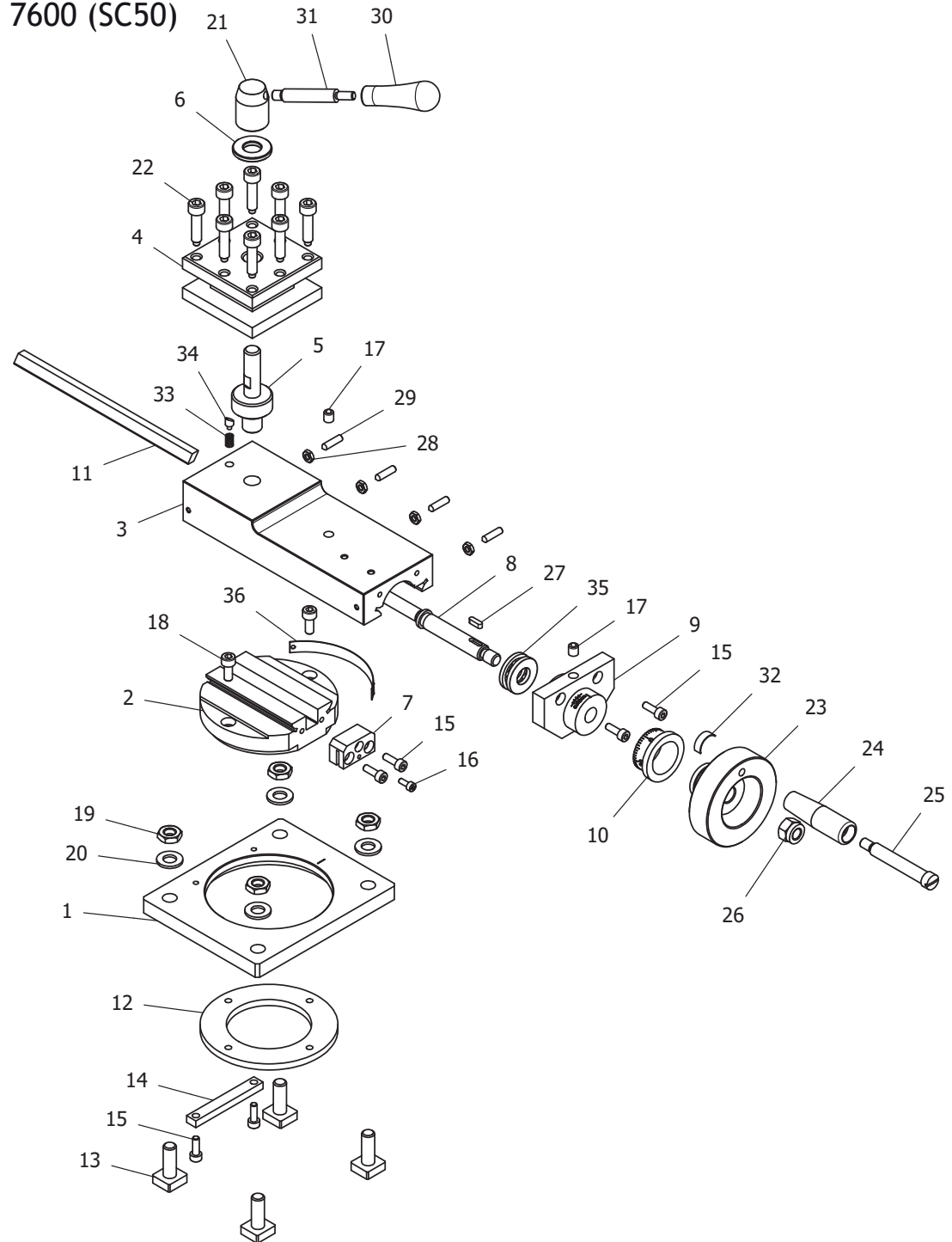
# HiTorque 8.5x20 Bench Lathe Model 7600 (SC50)

Drawing 1 of 10



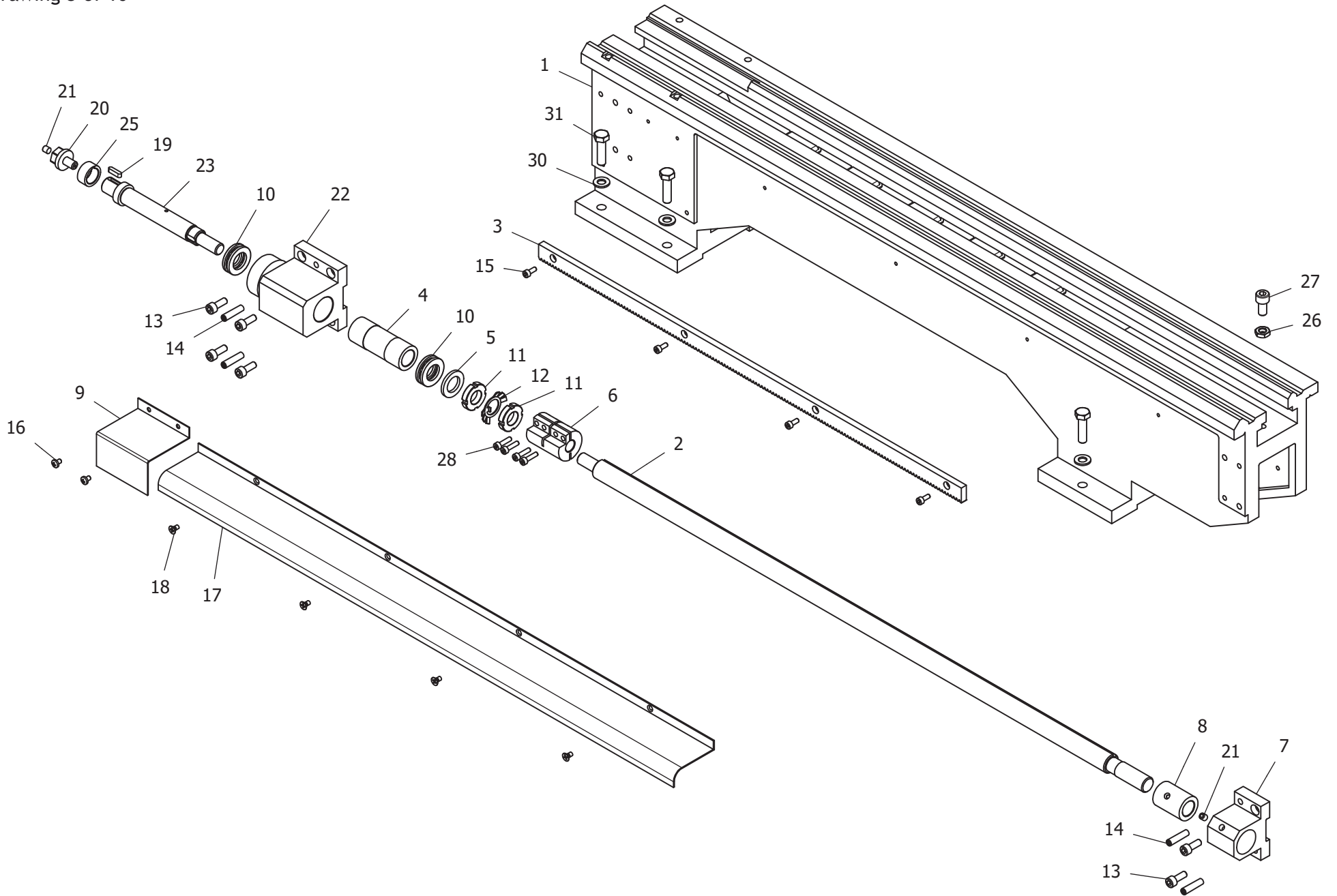
# HiTorque 8.5x20 Bench Lathe Model 7600 (SC50)

Drawing 2 of 10



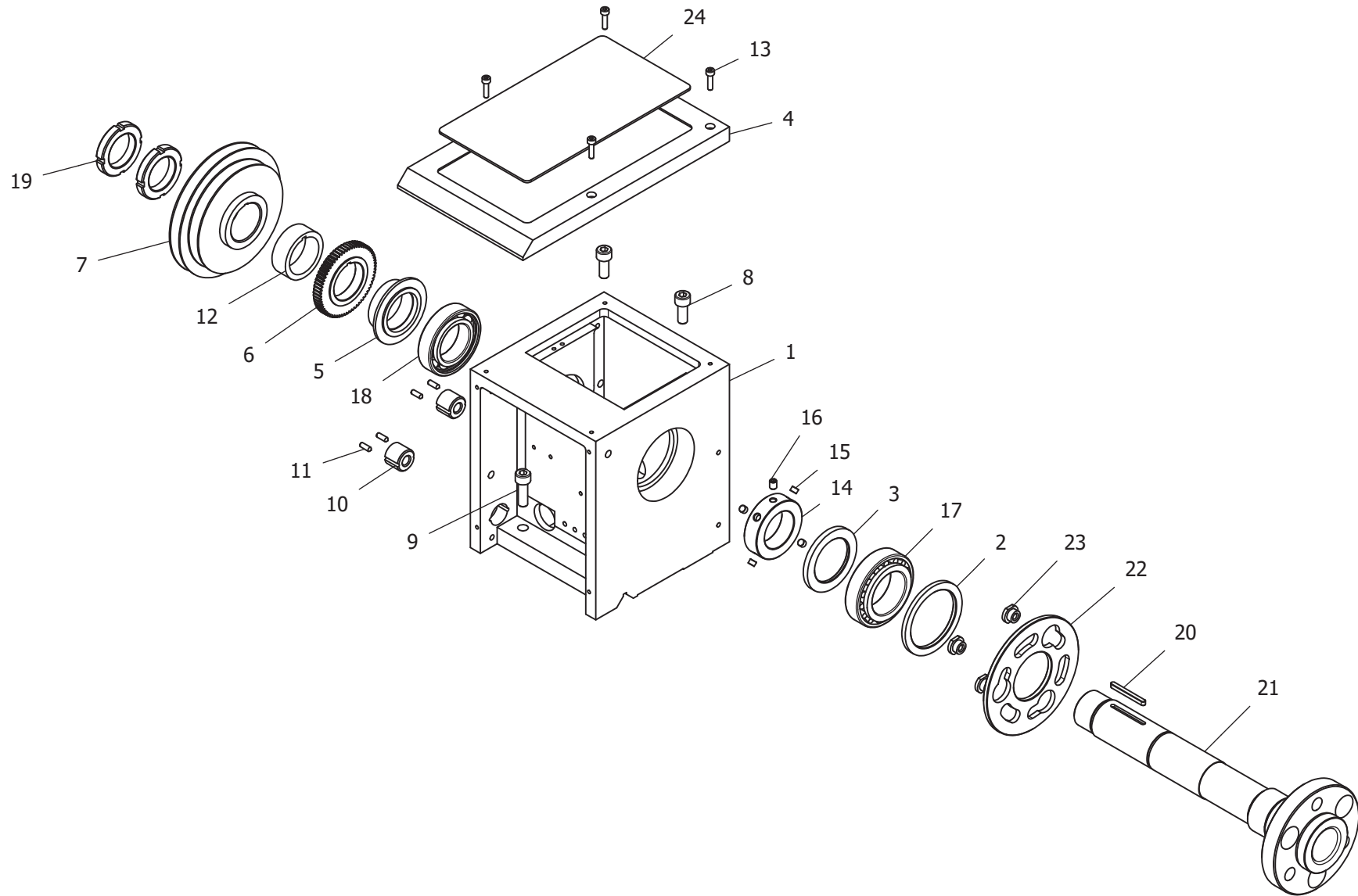
# HiTorque 8.5x20 Bench Lathe Model 7600 (SC50)

Drawing 3 of 10



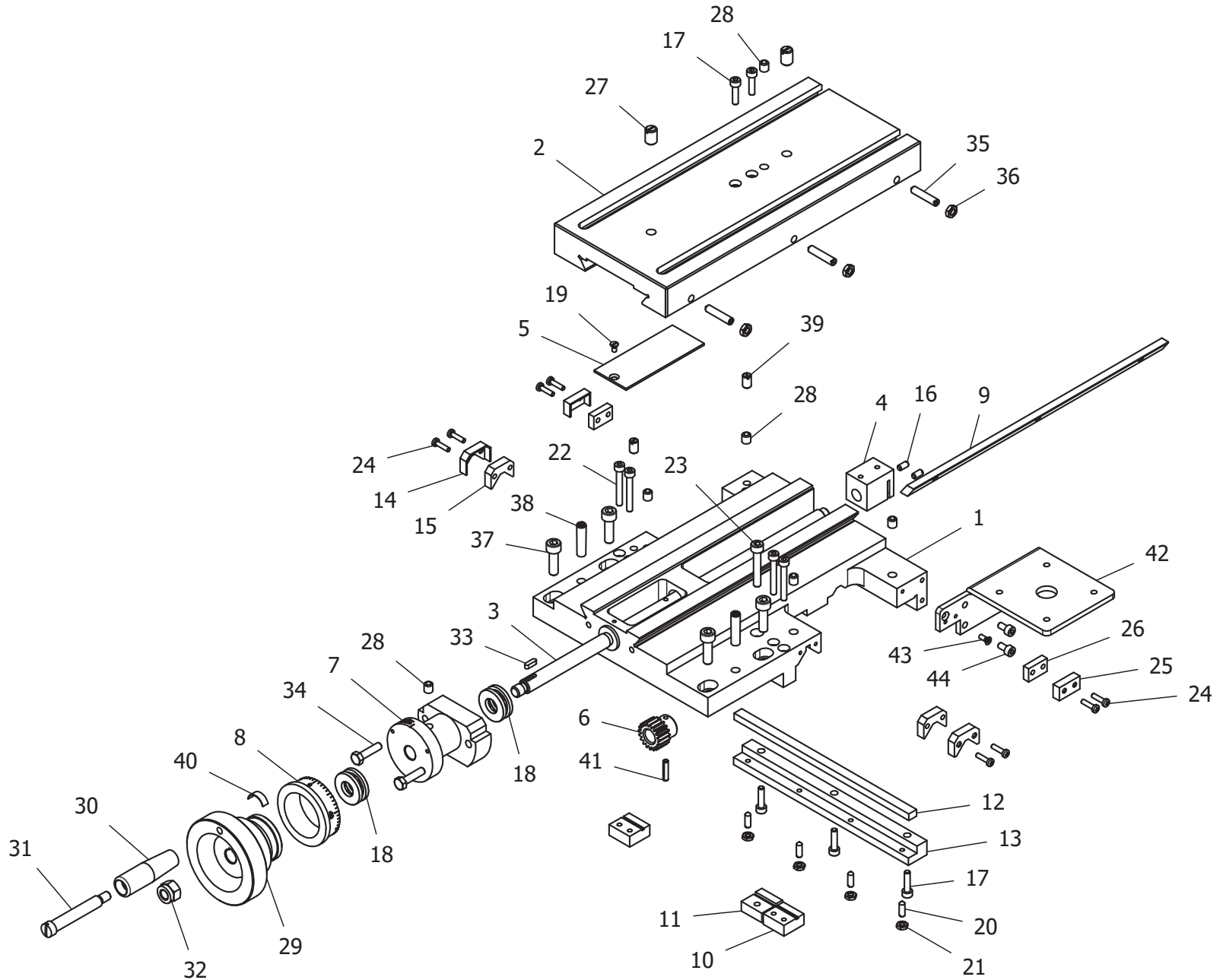
# HiTorque 8.5x20 Bench Lathe Model 7600 (SC50)

Drawing 4 of 10



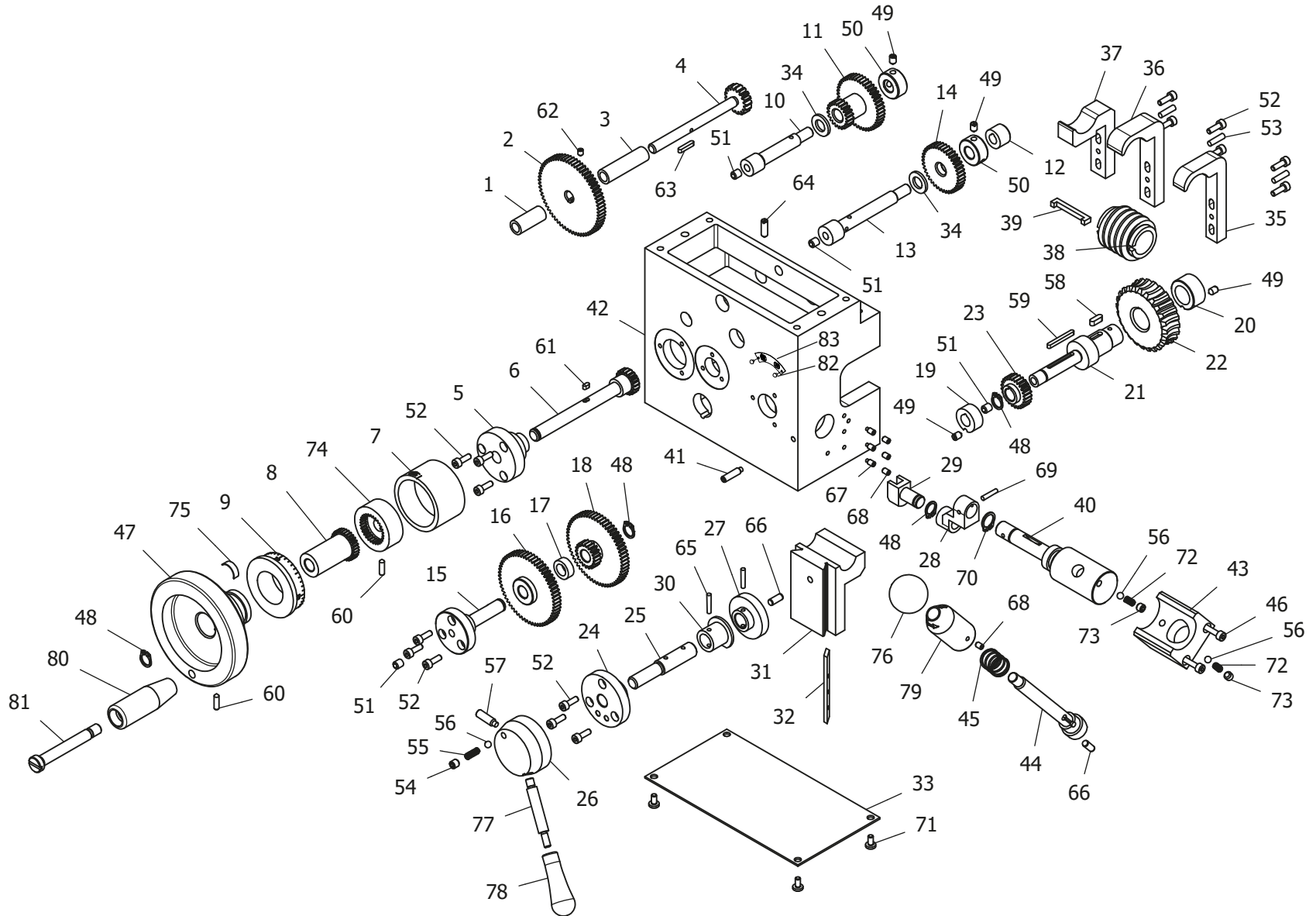
# HiTorque 8.5x20 Bench Lathe Model 7600 (SC50)

Drawing 5 of 10



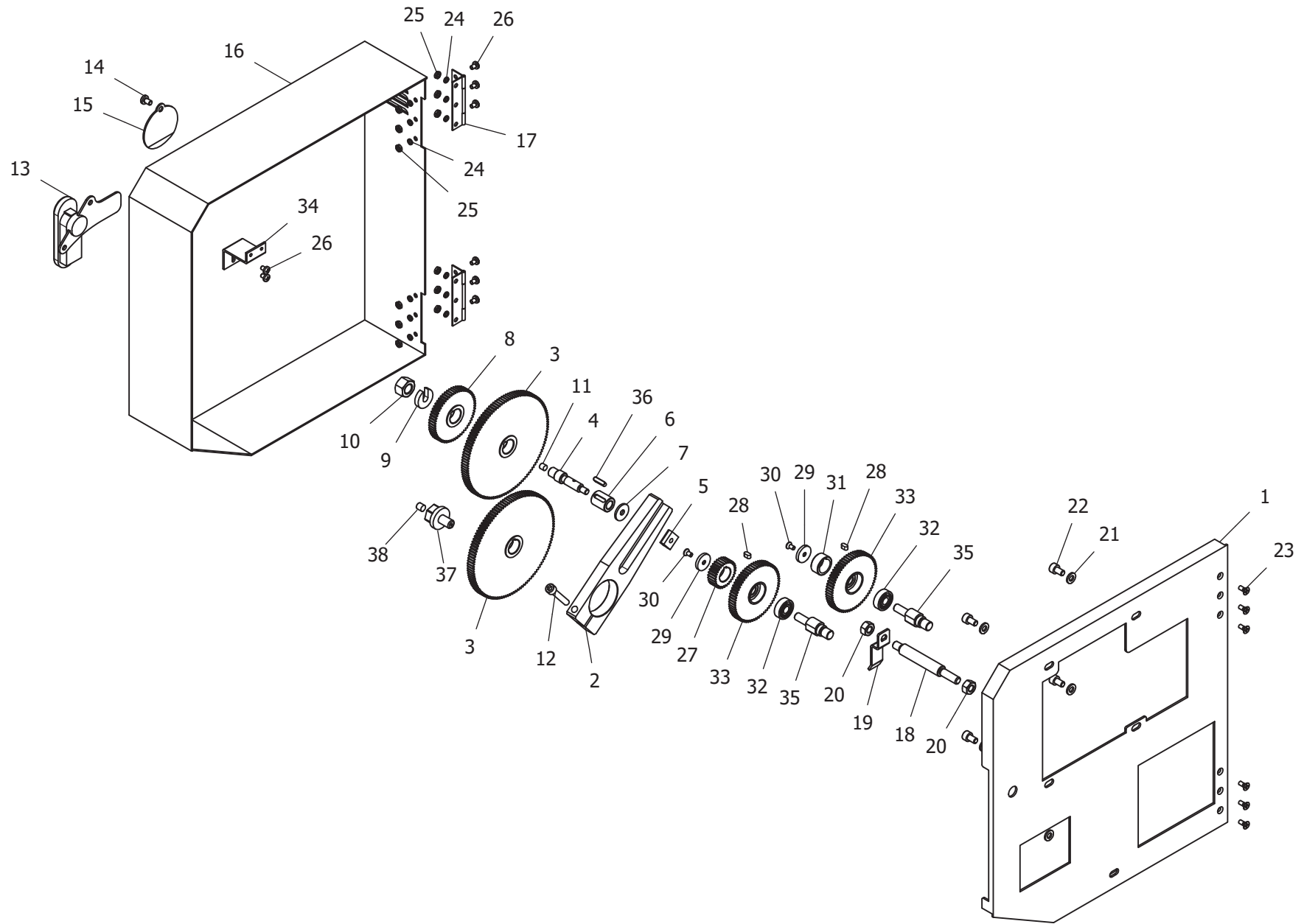
# HiTorque 8.5x20 Bench Lathe Model 7600 (SC50)

Drawing 6 of 10



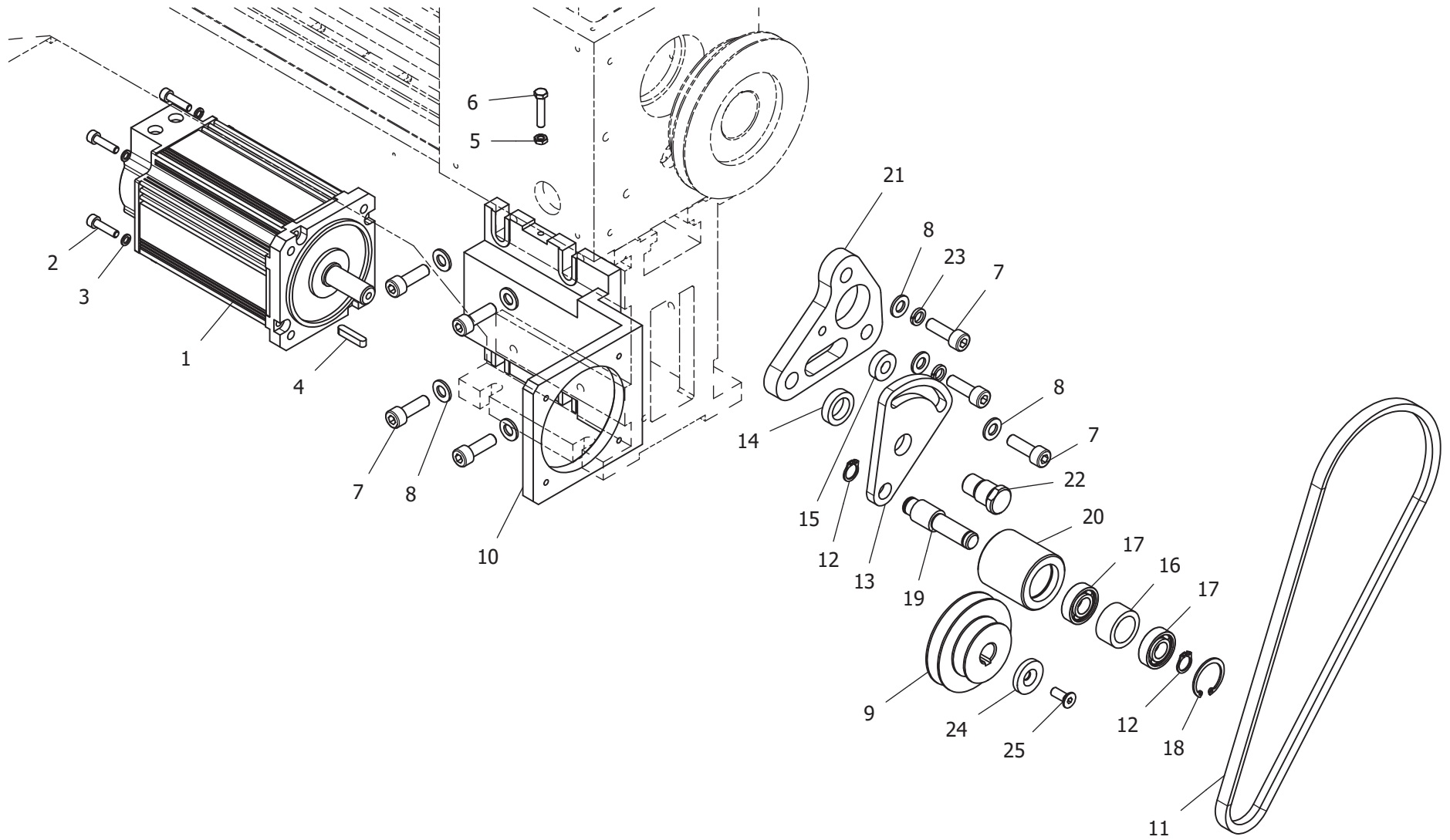
# HiTorque 8.5x20 Bench Lathe Model 7600 (SC50)

Drawing 7 of 10



# HiTorque 8.5x20 Bench Lathe Model 7600 (SC50)

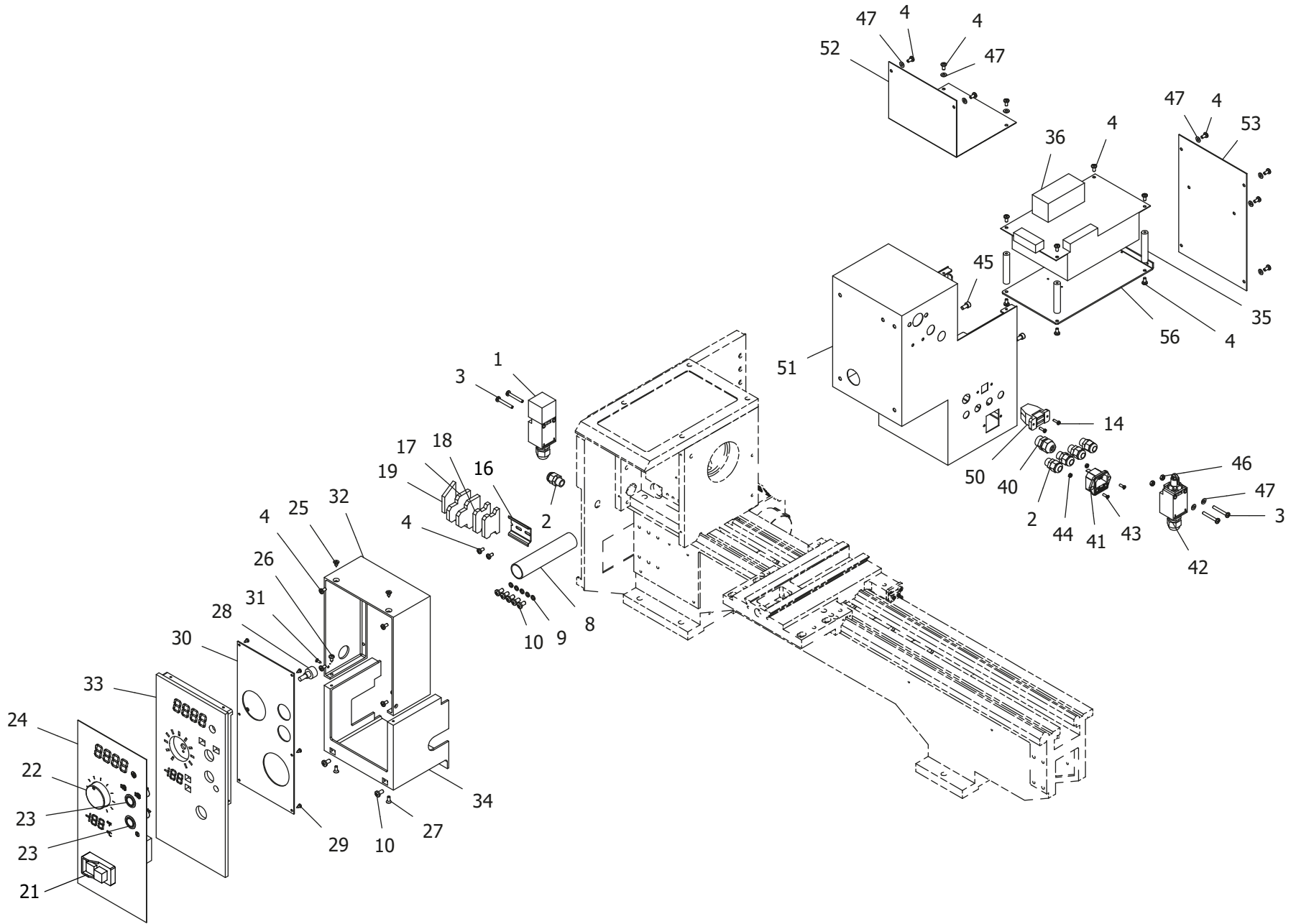
Drawing 8 of 10





# HiTorque 8.5x20 Bench Lathe Model 7600 (SC50)

Drawing 9 of 10



# HiTorque 8.5x20 Bench Lathe Model 7600 (SC50)

Drawing 10 of 10

