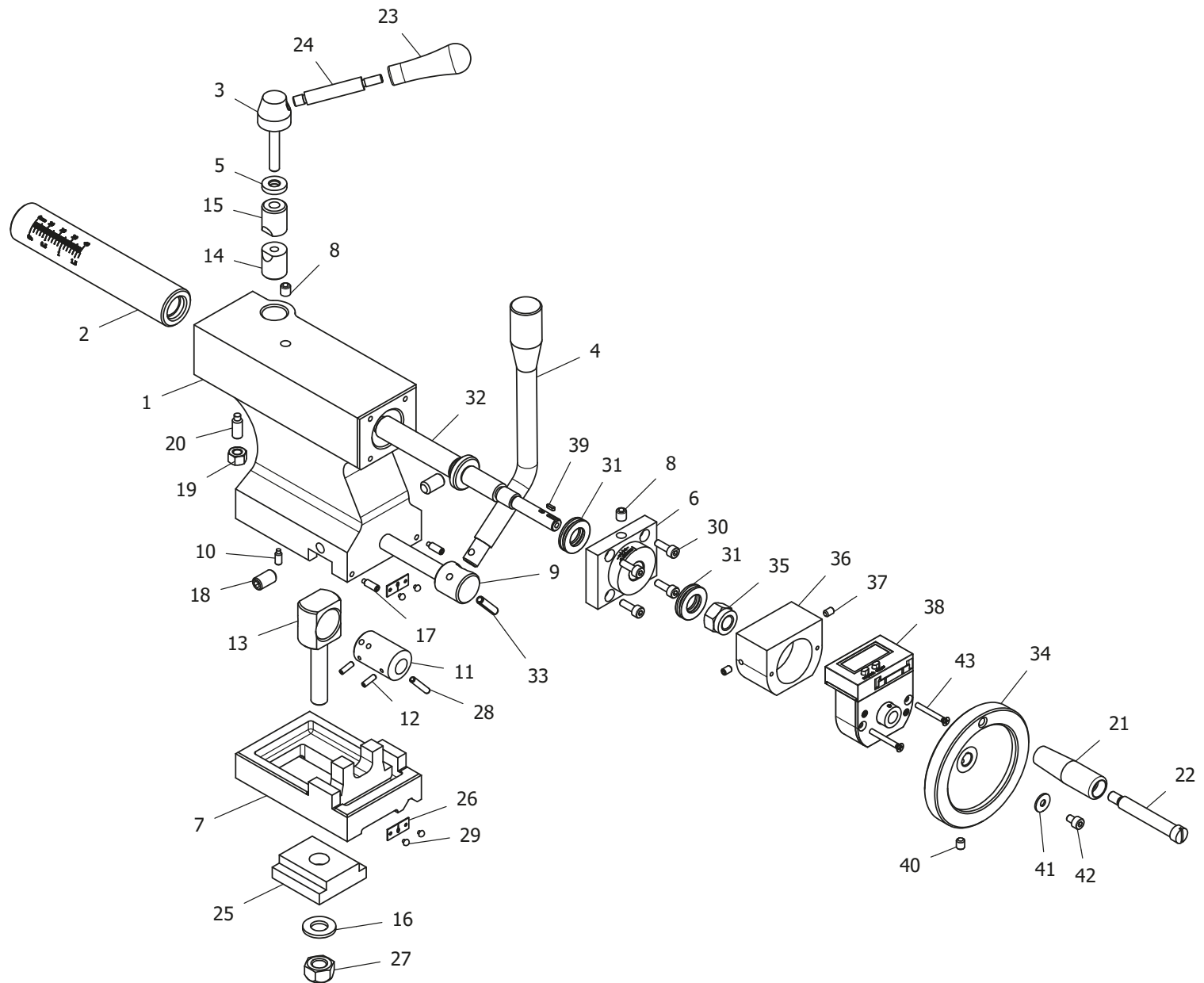


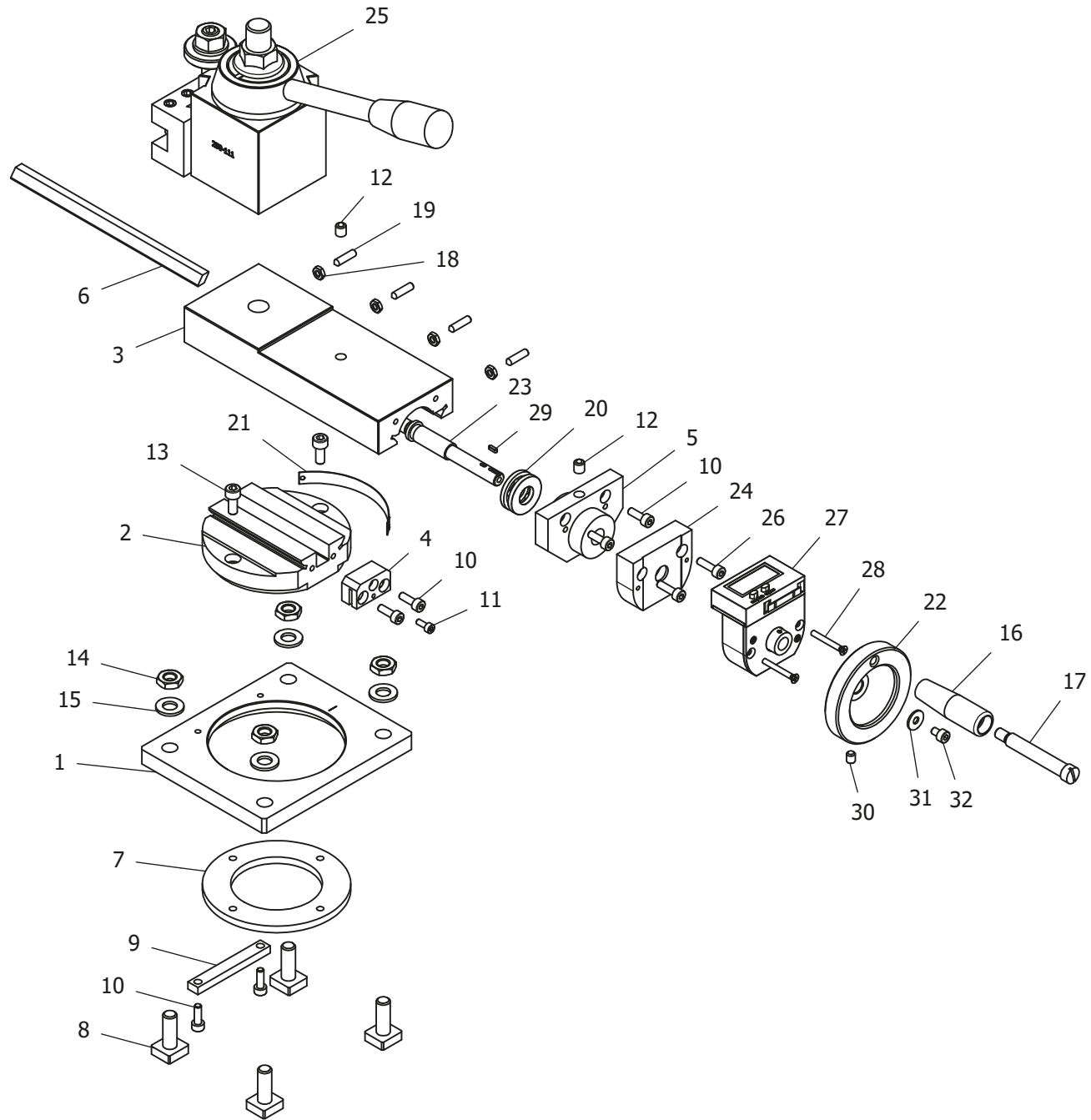
HiTorque 8.5x20 Bench Lathe Model 7650 (SC50)

Drawing 1 of 11



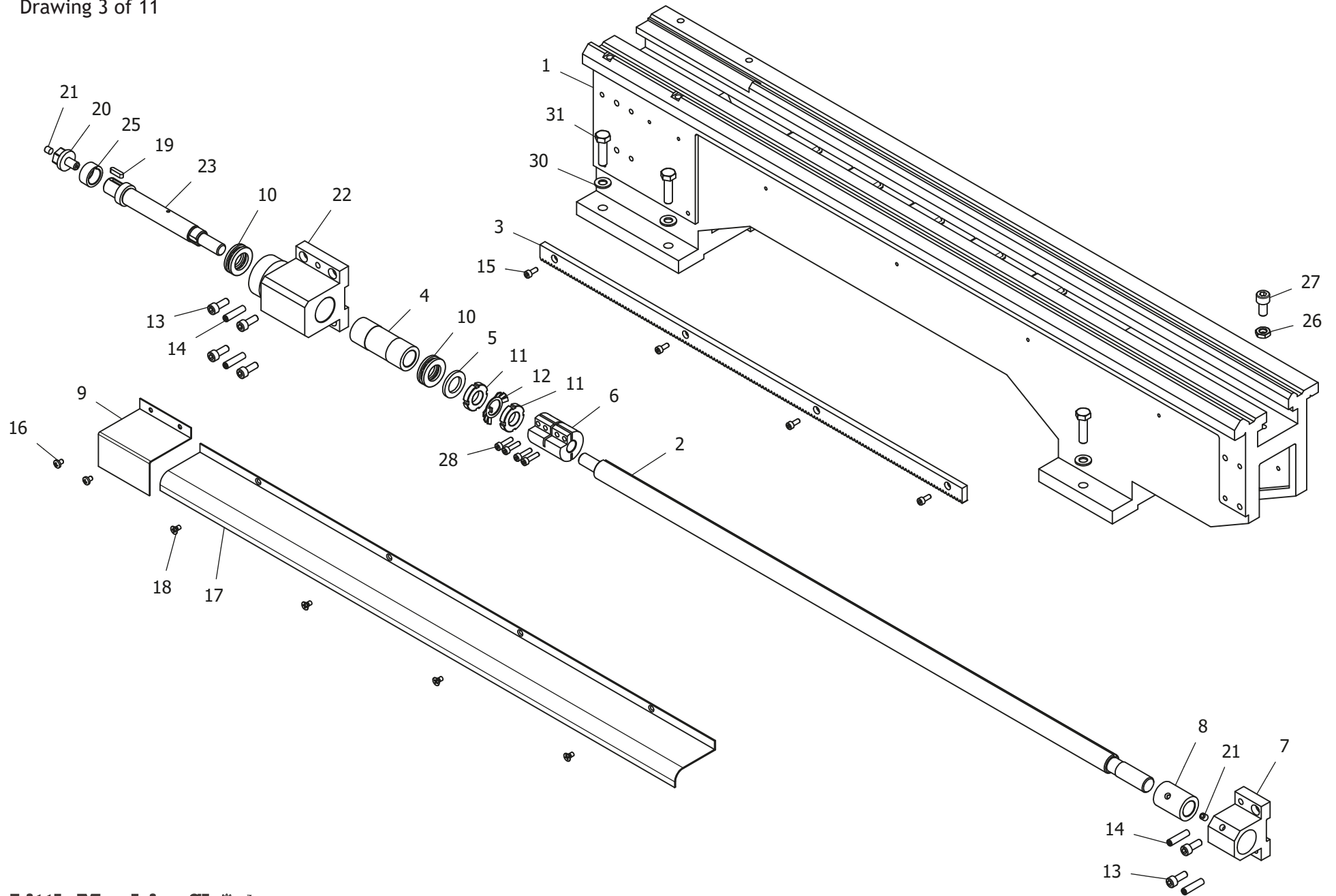
HiTorque 8.5x20 Bench Lathe Model 7650 (SC50)

Drawing 2 of 11



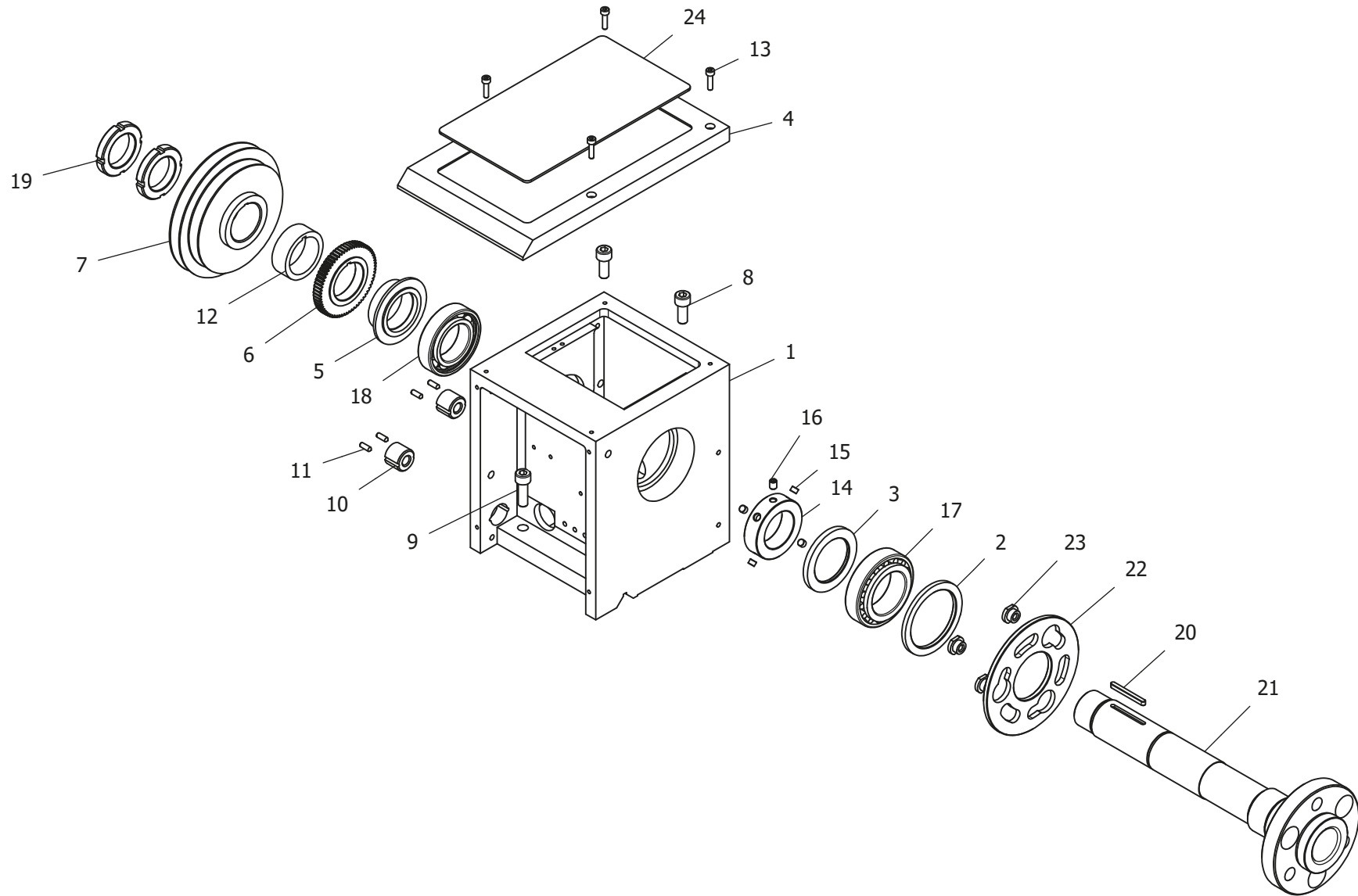
HiTorque 8.5x20 Bench Lathe Model 7650 (SC50)

Drawing 3 of 11



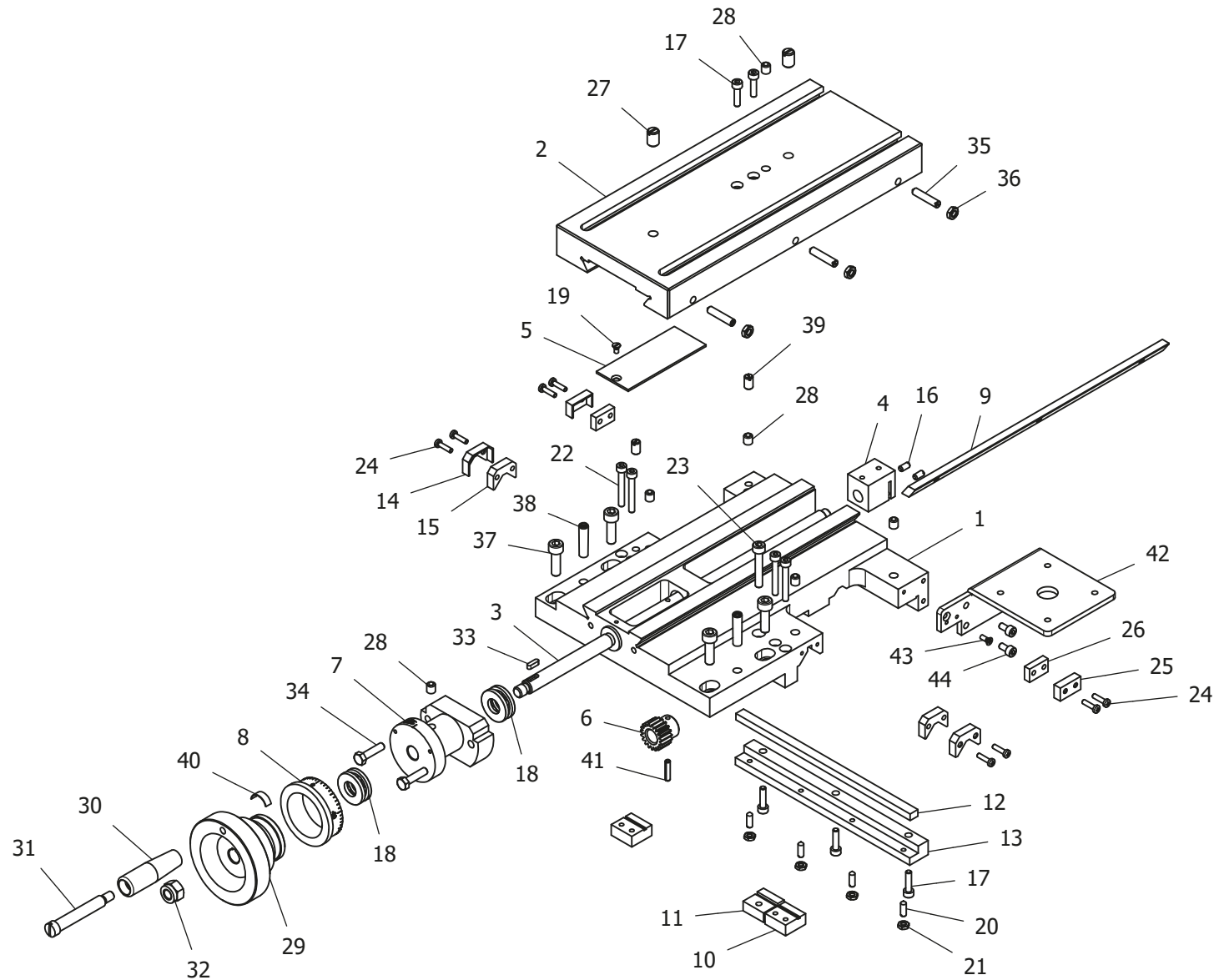
HiTorque 8.5x20 Bench Lathe Model 7650 (SC50)

Drawing 4 of 11



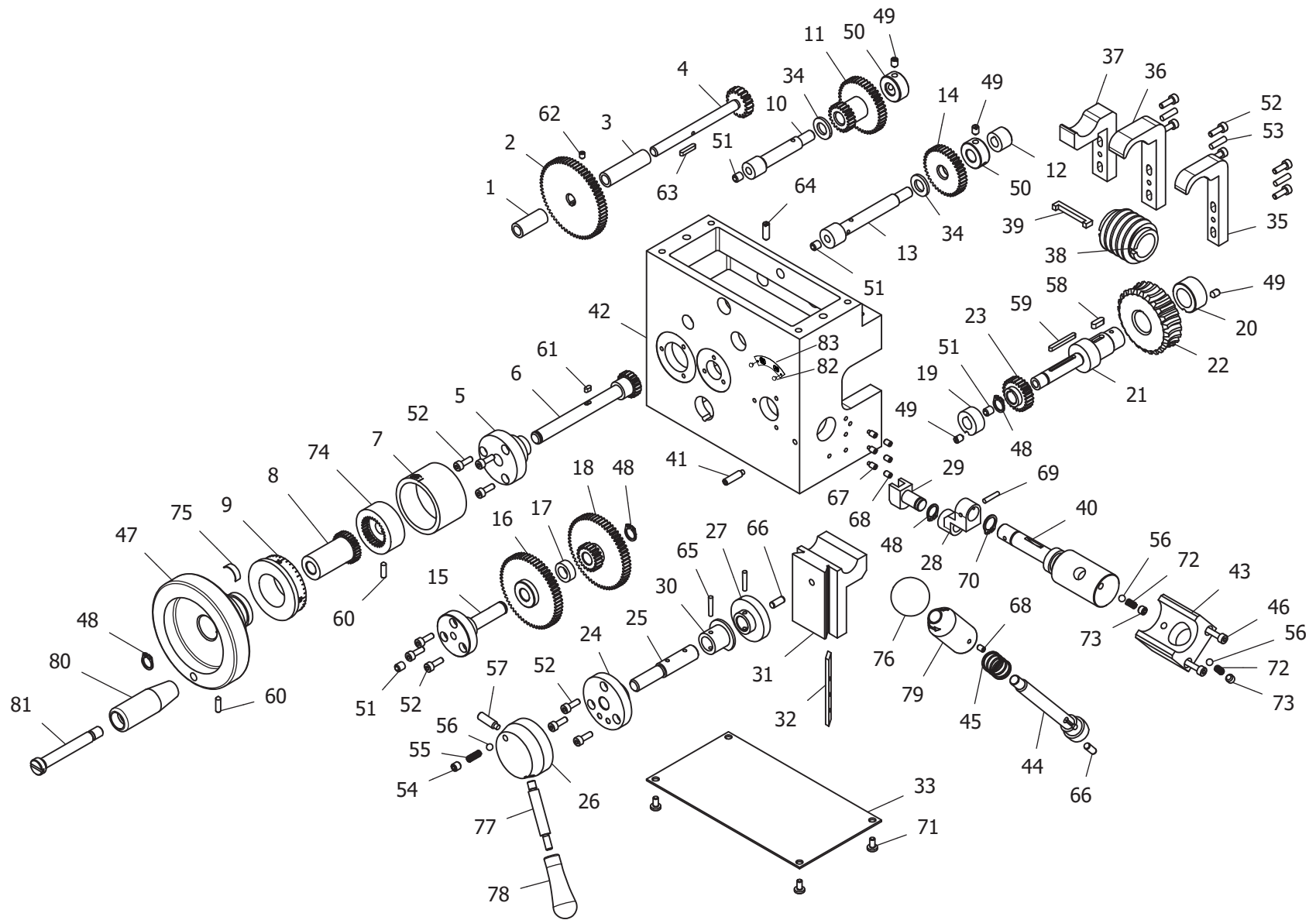
HiTorque 8.5x20 Bench Lathe Model 7650 (SC50)

Drawing 5 of 11



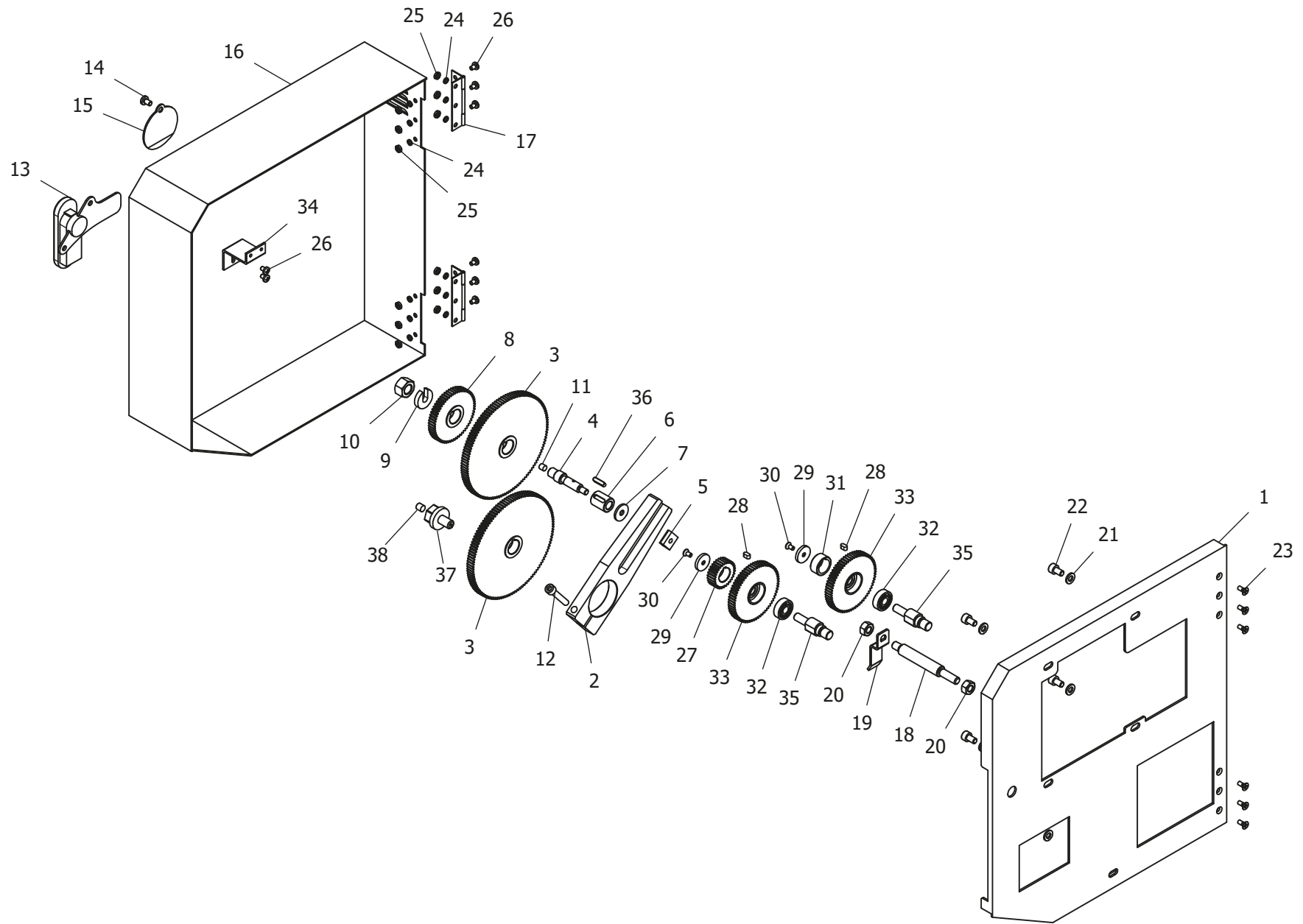
HiTorque 8.5x20 Bench Lathe Model 7650 (SC50)

Drawing 6 of 11



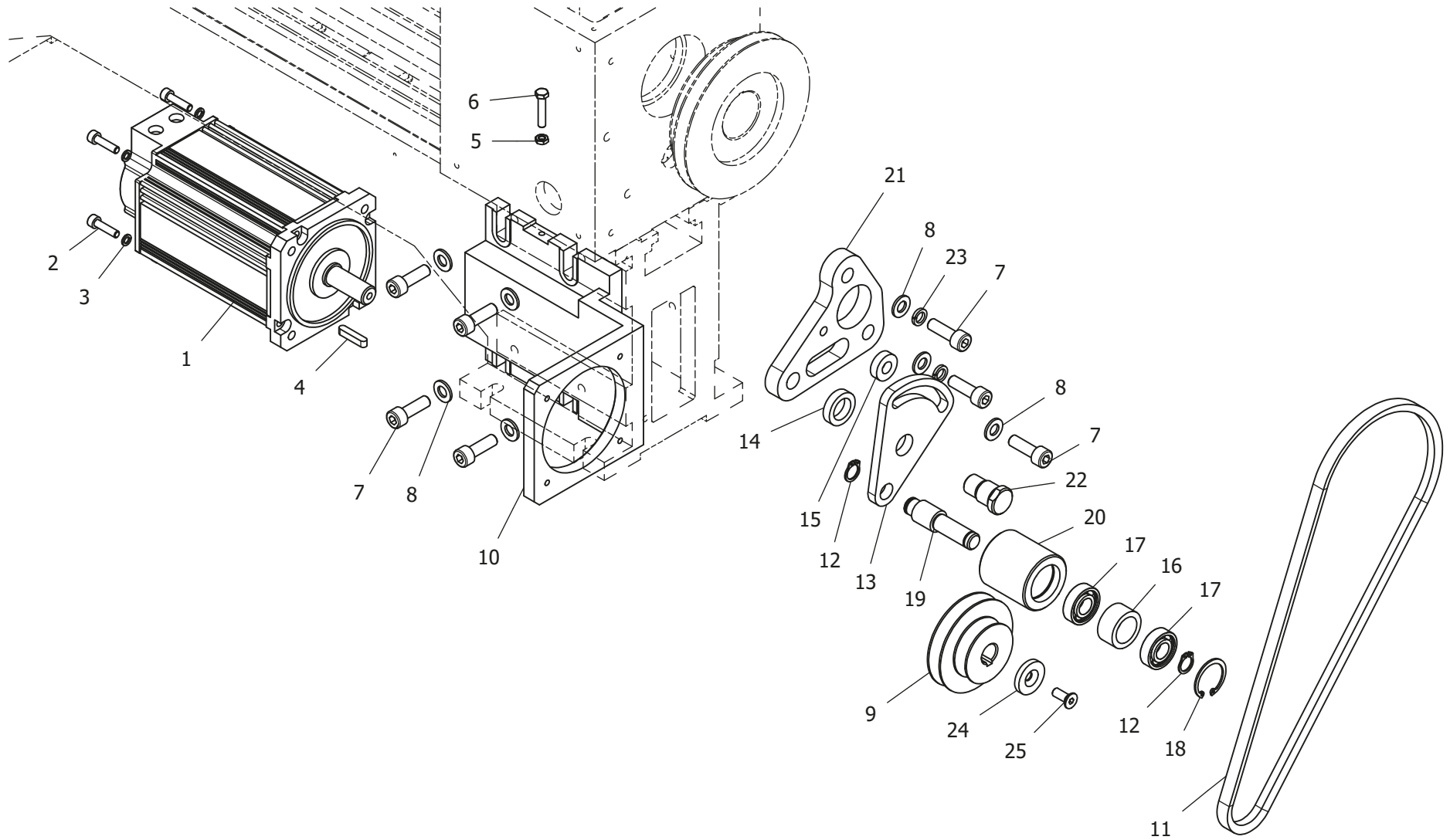
HiTorque 8.5x20 Bench Lathe Model 7650 (SC50)

Drawing 7 of 11



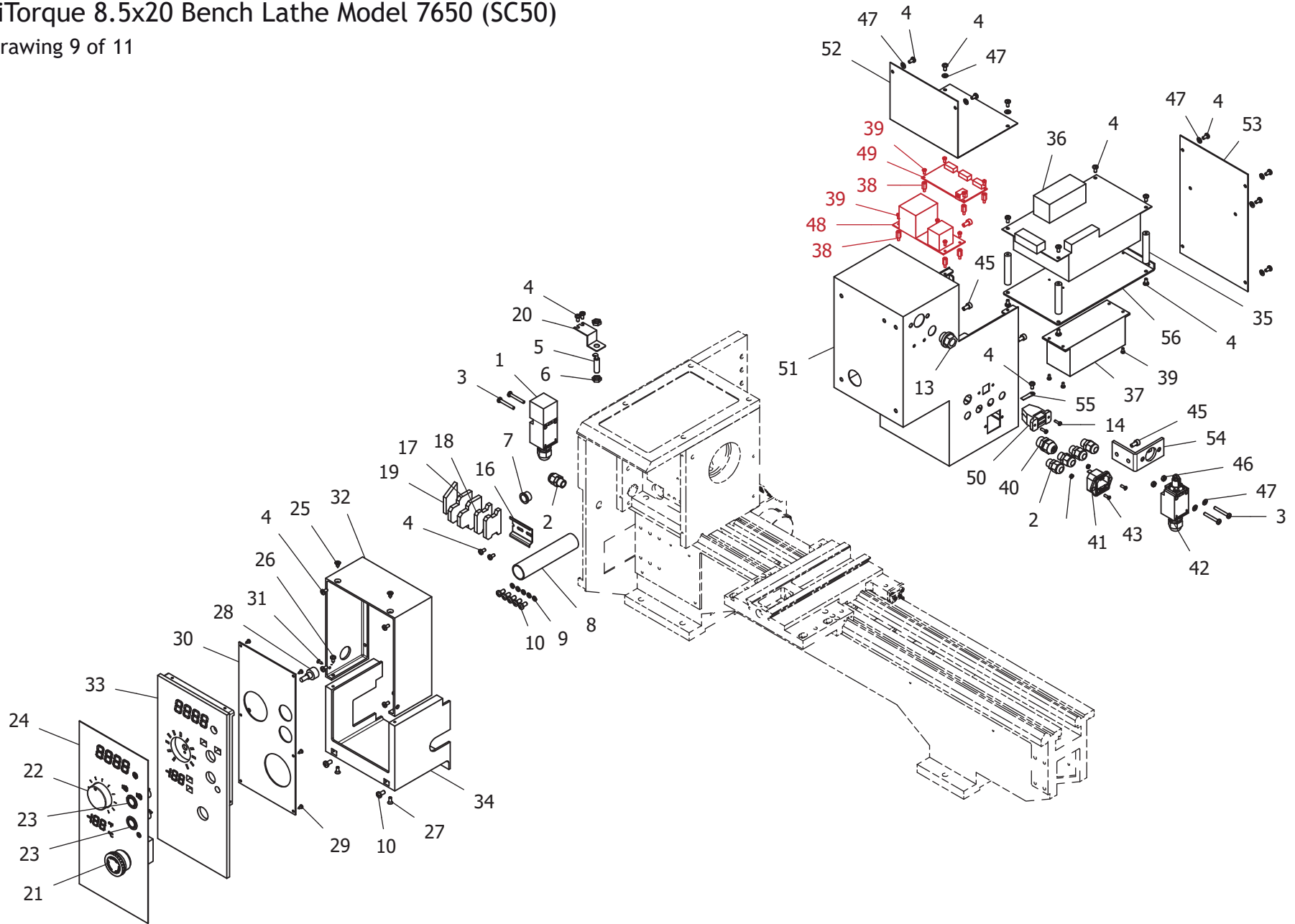
HiTorque 8.5x20 Bench Lathe Model 7650 (SC50)

Drawing 8 of 11



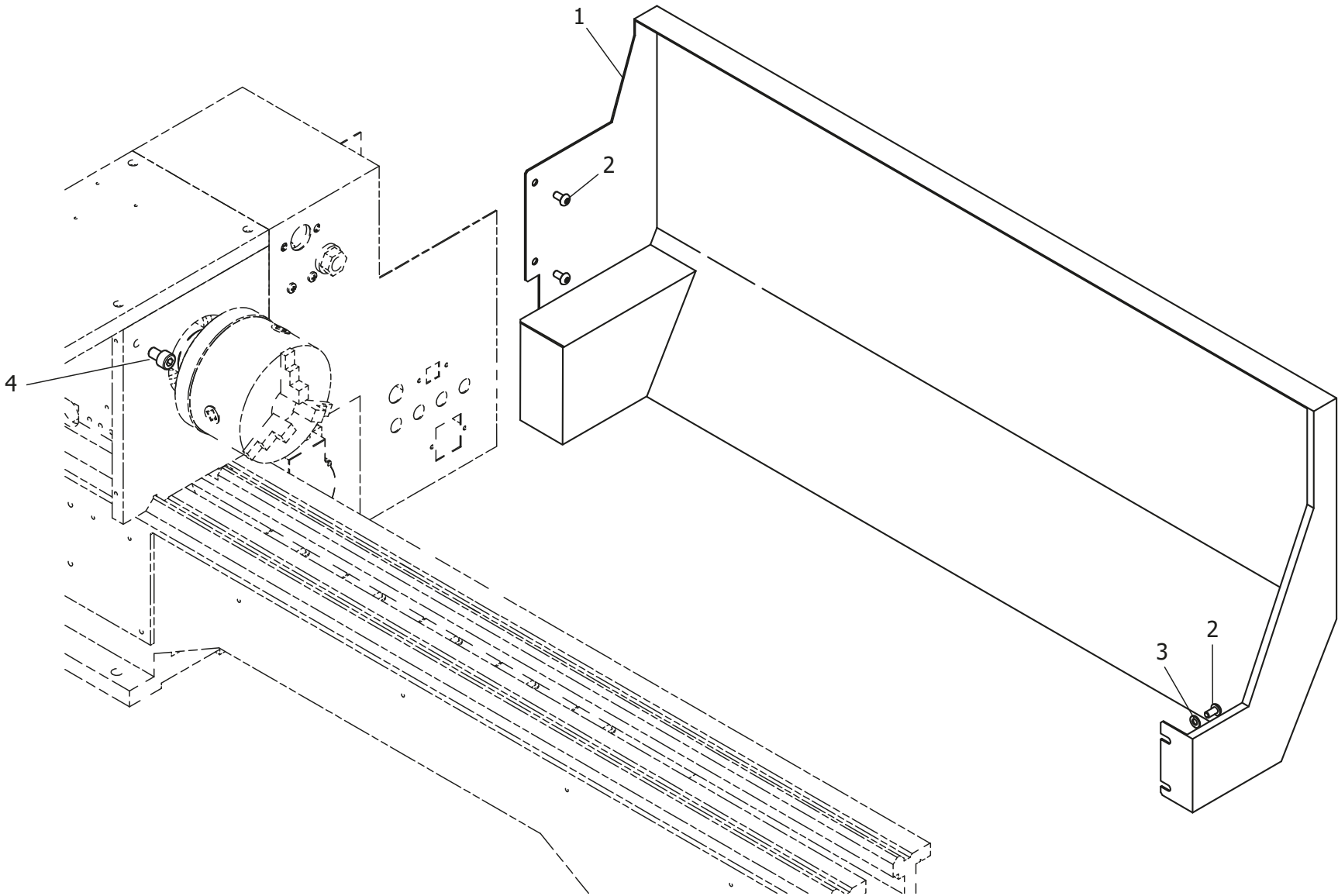
HiTorque 8.5x20 Bench Lathe Model 7650 (SC50)

Drawing 9 of 11



HiTorque 8.5x20 Bench Lathe Model 7650 (SC50)

Drawing 10 of 11



HiTorque 8.5x20 Bench Lathe Model 7650 (SC50)

Drawing 11 of 11

