

VMC SERIES PUMP - 1/150 HP

APPLICATIONS

For use on small drill presses, tool grinders, tapping machines, and small lathes, the VMC Series is a 1-gallon coolant unit with a pump included. The flow of coolant liquids can be regulated to any desired amount or completely shut off without harmful effects to the motor.

FEATURES

- 1-gallon oil-resistant polyethylene tank
- Volute cover
- Unit takes 1/2" ID tubing to 1/4" MNPT
- Includes spray nozzle and 6 ft tubing
- Screen chip collector



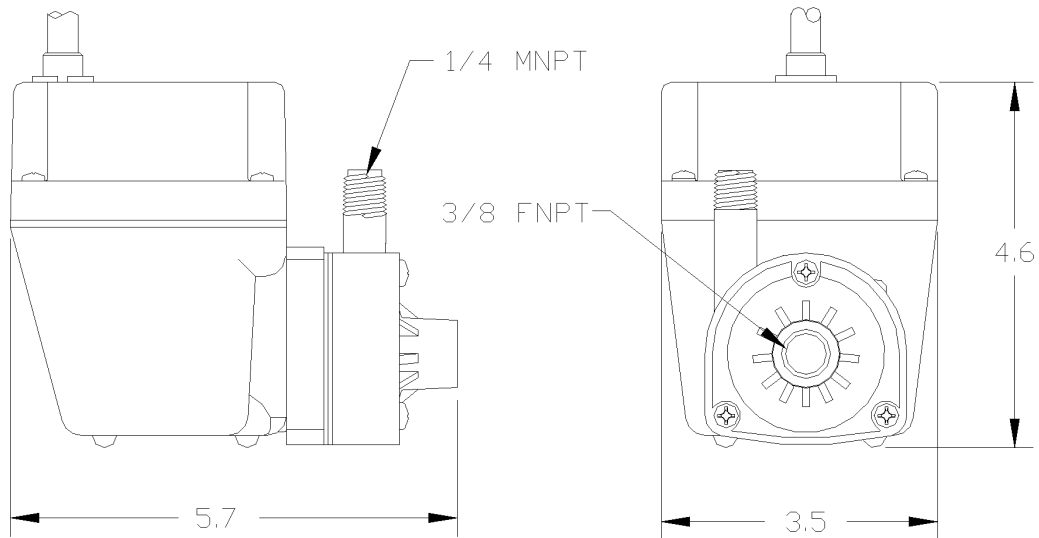
VMC-1

SERIES SPECIFICATIONS

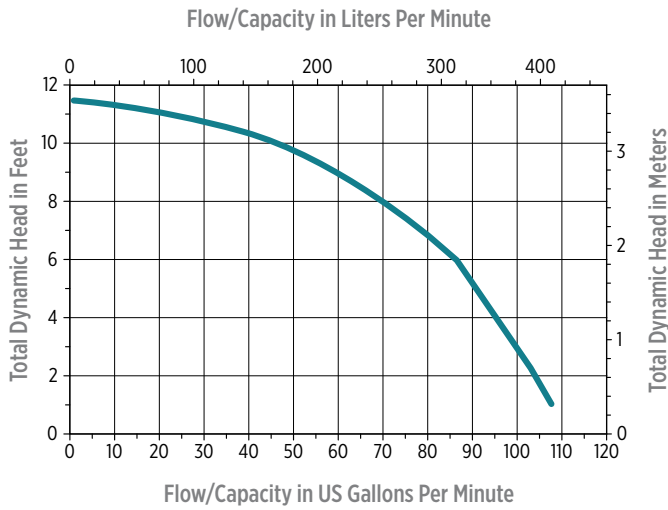
Model No.	Item No.	Volts	Performance (GPH @ Head) Water Soluble Oil				Shutoff Feet	Power Cord (ft.)	Weight (lb.)	Dimensions (H x L x W in.)
			1'	3'	6'	9'				
VMC-1	560612	115	108	100	86	60	11.5	4	6.00	9.25 x 12.00 x 6

VMC SERIES PUMP - 1/150 HP

ENGINEERING DATA



PERFORMANCE DATA



REPLACEMENT PARTS

Tank (1 gal)	Polypropylene
Tank Cover	Galvanized Steel
Chip Collector	Stainless Steel
Volute Stand	Nylon
Impeller	Nylon
Base Plate	Nylon
Elbow	Nylon
Motor Cover	Nylon
Tubing (6')	Vinyl
Hose Adapter	Nylon
Shaft	Stainless Steel

