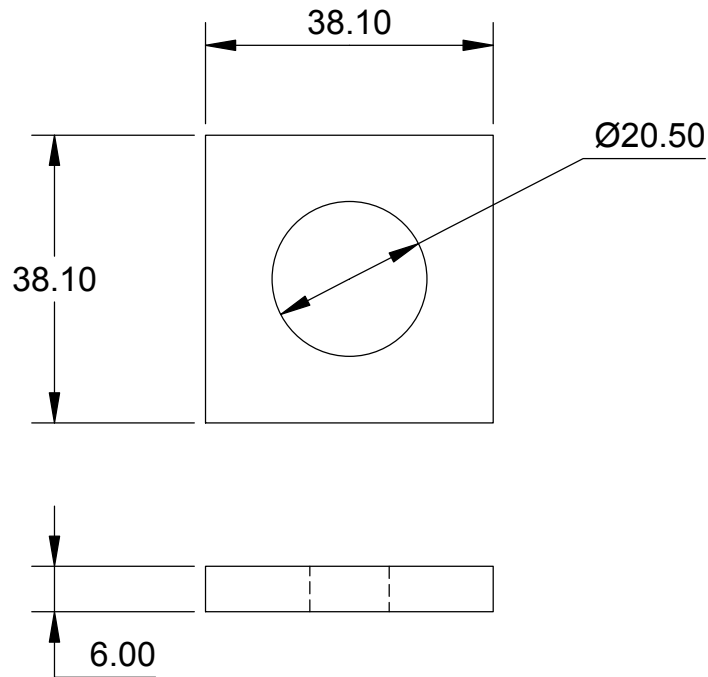


6.3



For 8x12 and 8x14 lathes

Material: 1018 (GB 715 ML3) Cold Drawn Steel
Debur: Break all sharp edges
Finish: Black oxide

LittleMachineShop.com

© 2010 LittleMachineShop.com. All rights reserved.

Spacer for 8x12

Revision 1

5565

Sheet 1 of 1