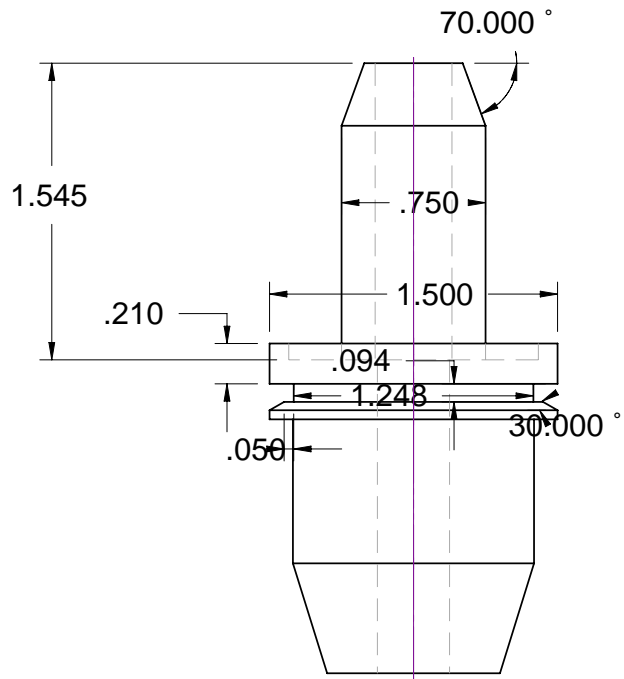




REVISIONS				
ZONE	REV	DESCRIPTION	DATE	APPROVED



	DRAWN	DATE	Tormach Tool Holder Z-Bot ATC Modifications Scale 1:1			
	CHECKED					
	QA					
	MFG		SIZE A	FSCM NO.	DWG NO.	REV
	APPROVED		SCALE	Scale 1:1	SHEET	

